

# VISION FLAT ROD 2100 MM



2100 mm flat rod with preassembled control mechanism. Can be used for Vision Outside (Index Code 1-008.05) and Vision Inside (Index Code 1-008-13).

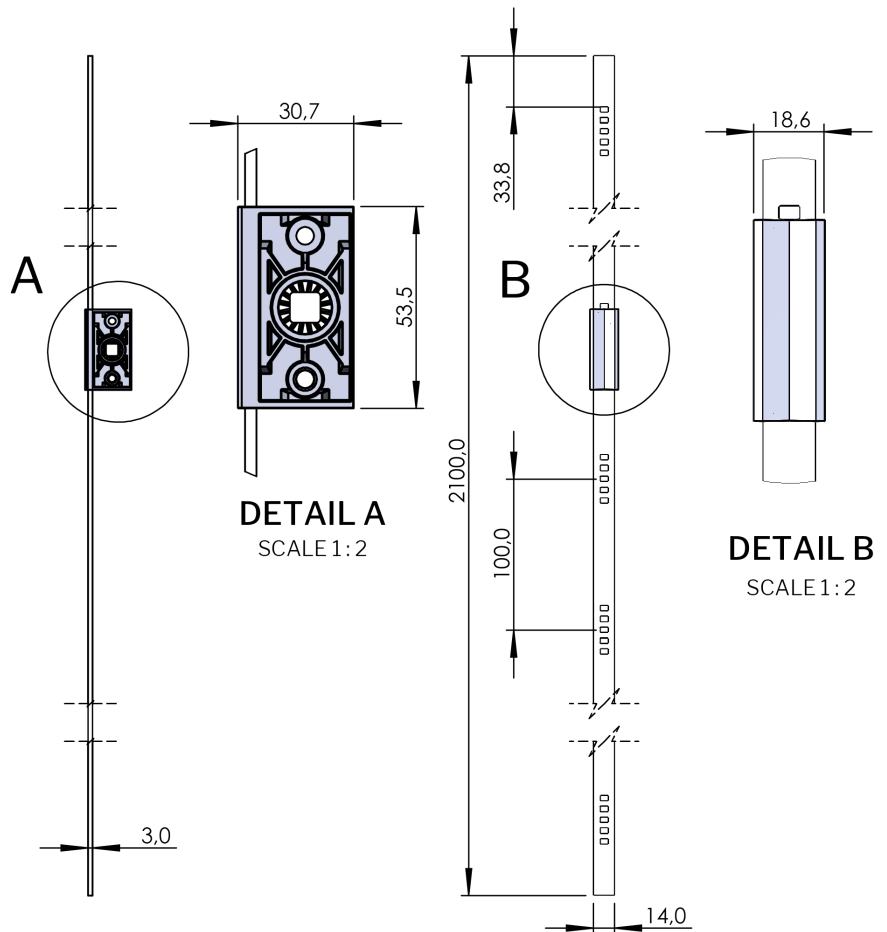
Possible to mount latch points every 100 mm.

## MATERIAL

**Control mechanism:** Polyamid  
glasfaserverstärkt (PA6GF30)  
**Rod:** Edelstahl 304

## ÄHNLICHE PRODUKTE

**Rod latch systems:** 1-008.05, 1-008.13  
Use the Index Code at [industrilas.com](http://industrilas.com)



Bestell-Nr.	Material rod	Material control mechanism
1301-000000-2000	Stahl, verzinkt	Zinkdruckguss, verzinkt
1301-010000-2000	Edelstahl 316	Zinc die cast with surface treatment "Highlander"
1351-000000-2000	Stahl, verzinkt	Polyamid glasfaserverstärkt (PA6GF30)